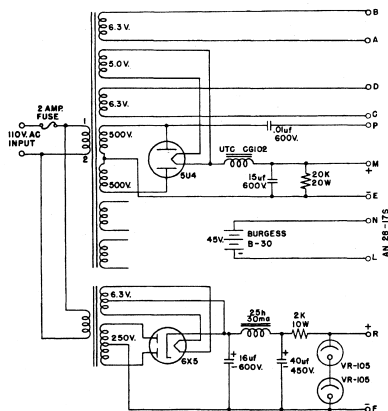


Now Available on CD ROM

Technical Memoranda issued by
Acoustics Research Laboratory—Harvard University
1947–1971



The Harvard Acoustics Research Laboratory was established in 1946 to support basic research in acoustics. Research results were disseminated formally by means of reports called technical memoranda (TMs). This CD includes the 61 reports issued between 1946 and 1971, when the contract with the Office of Naval Research was completed.

About half the TMs are doctoral theses in report form though some incorporate substantial additions. Most of the other half represent output by the postdoctoral fellows. The collection is introduced by David T. Blackstock of the University of Texas at Austin and brief bios for all of the TM authors are included.

Having an unusually broad range for a single research group, the topics represented by the TMs fall mainly in the following categories: radiation, propagation, and scattering; bubbles and cavitation; acoustical instruments; electroacoustic transducers; and properties of solids, liquids, and gases.

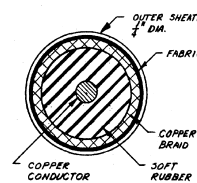


Fig. 5. Schematic section showing cable makeup.

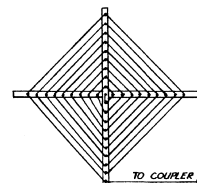


Fig. 6. Configuration of the spiral mounting for the cable.

ORDER FORM

1. Price: \$25 (includes shipping and handling)
2. Payment by check in U.S. funds/U.S. bank or VISA, MasterCard or American Express credit card must accompany all orders.
3. Send orders to: Acoustical Society of America, 2 Huntington Quadrangle, Suite 1N01, Melville, NY 11747-4502; Tel: 516-576-2360; Fax: 516-576-2377.

Name _____

Address _____

City _____ State _____ Zip/Postal Code _____ Country _____

Tel: _____ Fax: _____ Email: _____

PLEASE SEND ME:

| Quantity | Publication Title | Unit Price | Total Cost |
|----------|------------------------------------|------------|------------|
| _____ | Harvard Technical Memoranda CD ROM | _____ | _____ |

TOTAL _____

Check or money order enclosed for \$ _____ (US funds/drawn on bank in US)

VISA MasterCard American Express Signature: _____

Account # _____ Security Code: _____ Expiration Date: _____